

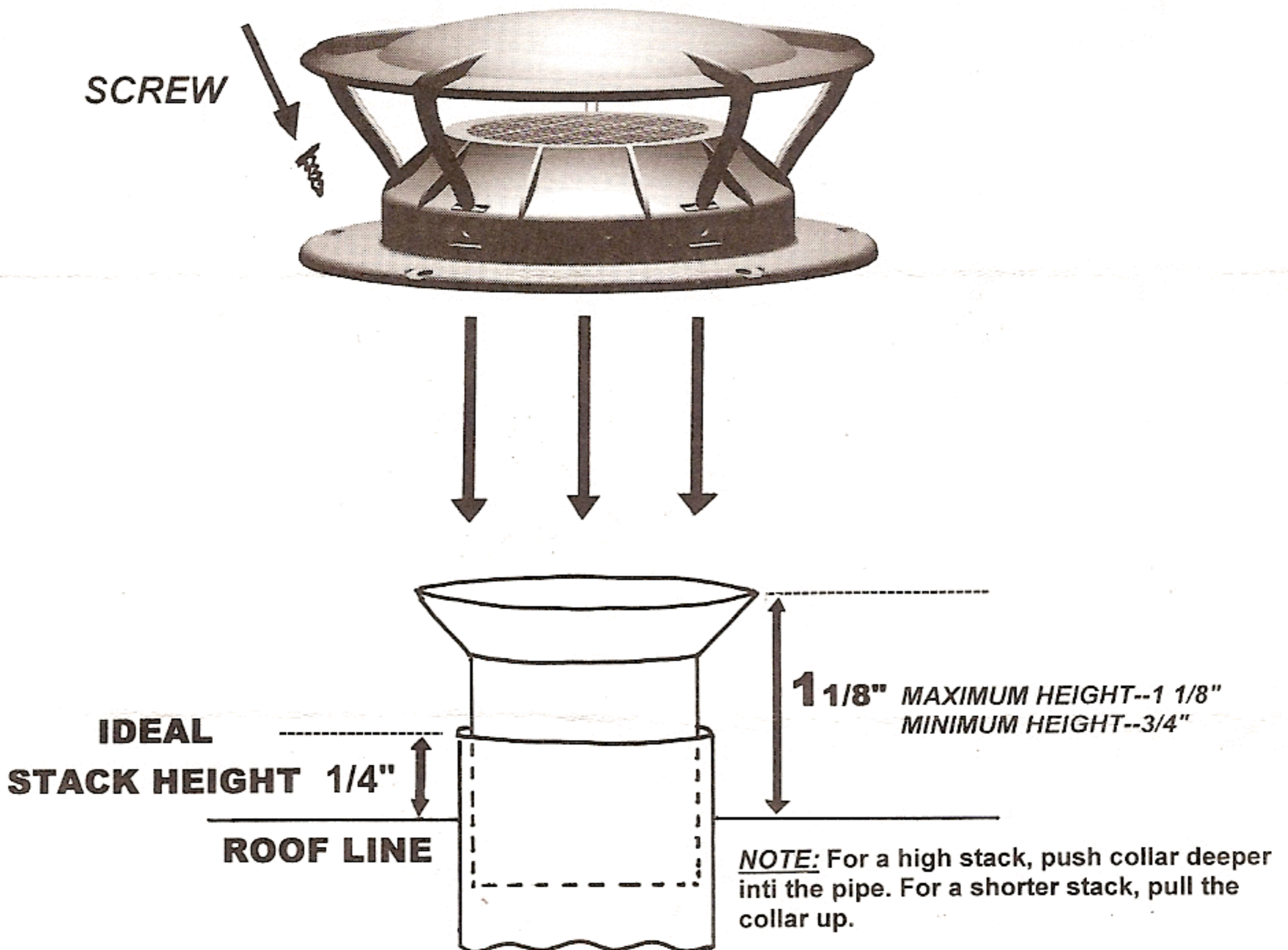
360 SIPHON INSTALLATION INSTRUCTIONS

The siphon can be mounted on any angle or even sideways as long as it is correctly mounted to the mounting surface.

Being off the horizontal will not affect its operating performance.

DO NOT REMOVE LID to secure base to roof. Screws are to be installed on an angle.

- Use exterior screws only for securing base to roof.
- Ensure to use the appropriate sealant for your roof type between the flange and the roof top.
- The water sealant collar (funnel) is designed to fit into the standard RV stack 1 1/2 " (inside diameter) pipe. It is located in the base section.
- Follow the instructions below to establish a water tight installation.



Due to the rugged composite of the **360 Siphon**, it is durable and will outlast any other available vent product. In the event the lid is damaged or knocked off, replacement lids are available. The locking tabs in the base might have to be pried out prior to installing a new lid.

Because the lid is larger than the base, the base area will be partly shadowed, reducing the UV damage to the flange sealant, providing a longer lasting water tight seal.